

# The PODAB Drying Cabinet TS92



## New large capacity drying cabinet.

PODAB's new TS92 drying cabinet has the capacity to dry a great amount of laundry in a very short time. With a hanging length of 90 feet and stable construction, the drying cabinet is ideal for drying rugs or larger textiles such as sheets, curtains etc. The TS92 is energy-efficient with energy consumption only 0.65kWh/kg and drying time at 65 minutes.



A large electronic control panel displays drying process information.


PODAB has developed a new system, the Humidity Tracking System (HTS). HTS measures the level of humidity every single second, to determine exactly when the textiles are dry. This combined with the under-pressure system (prevents hot air from leaking out) provides the user with an environmentally-friendly and energy-saving drying cabinet.

The TS92 has three temperature levels in manual mode and two automatic programs; cabinet dry and iron dry. The cabinet works with triple fans and air-channels which create a perfect balance between evacuated and re-circulated air. Reinforced with an over heating protection, for increased security in the laundry room. The removable top panel makes the cabinet easy to install and maintain.



The unique hanging frame can be rotated 90° and the doors open 190°, making it easier to handle laundry.

**HTS**  
Humidity Tracking System

 Ideal for delicate garments that are not suitable for tumble dryers.

## Standard Equipment

- 3 temperature levels for the manual programs and 2 automatic programs: cabinet dry and iron dry
- Capacity up to 32lbs.
- Doors open 190°
- Unique, hanging frame, can be rotated 180°, making it easier to handle laundry
- Hanging frame with complete hanging length of 90ft
- Indoor lighting
- Round base door catch magnets. Rubber coated to protect paintwork
- Double overheat protection (electrical and electromechanical) for increased security
- Feet are adjustable from inside
- Top is removable for easier handling and installation
- Test program and error codes make it easier to troubleshoot. Updated setup mode to adjust functions
- Optional single bar can be used for hangers
- Energy-efficient: senses and stops when clothes are dry
- Sanitize Drying Program with high temperature settings.

 **PODAB**

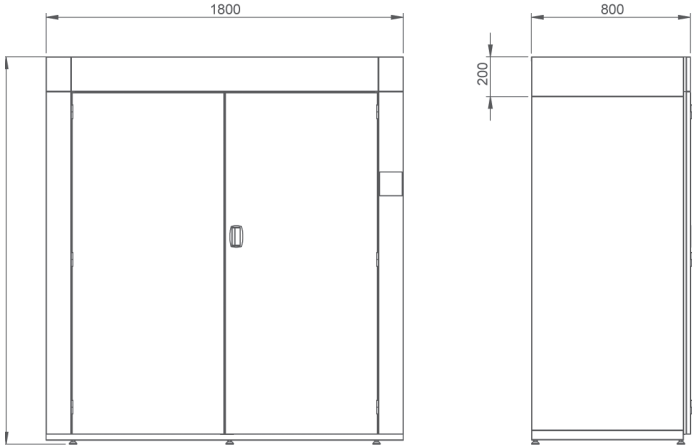
# The PODAB Drying Cabinet TS92

## Technical Specifications

Part No.	131026
Capacity, lbs (dry weight)	35
Hanging length, single bar (ft)	6
Hanging length, swinging Hanging rails (ft)	105
Drying time, min*	65
Energy consumption (kW/kg)	0.65
Total effect, kW	9.3
Voltage**/Frequency/Phase	208-230V / 60Hz /3
Circuit breaker (amps)	35
Height (in)	77
Width, (in)	71
Depth, (in)	31.5
Weight, (lbs)	518
Evacuated airflow (CFM)	324
Airborne sound level, (db)	59
Color	grey

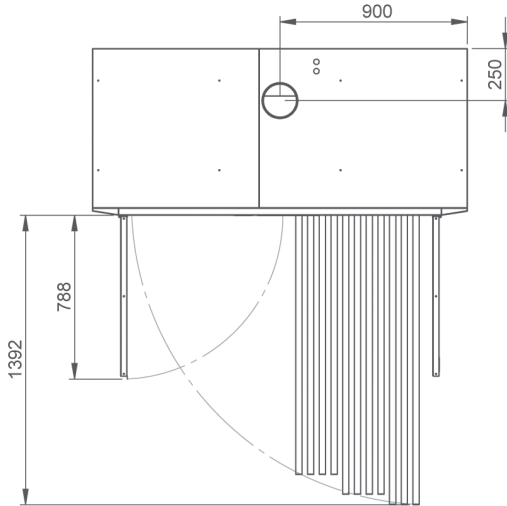
\*When drying of 26lbs cotton (dry weight), washed and high-spinned to 53% residual moisture. The cabinet works another 15 minutes with cool-down after the textiles are dry.

\*\*Other electrical setup upon request.



## Optional Extras

Hook rack, set of three.  
Part # 131071



All measurements in millimeters.

